



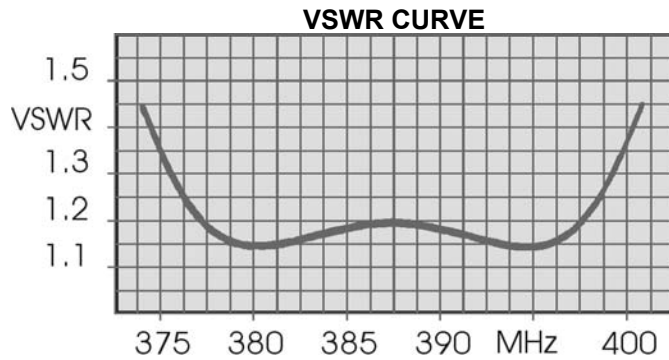
**COLLINEAR 5 dBi  
OMNIDIRECTIONAL ANTENNA  
375 ... 400 MHz**

**R-F 332 NL**

Fibreglass, vibration proof, base station antenna.  
With DC grounded lightning protection  
and condensing hole

**MAIN CHARACTERISTICS**

Frequency range	: 375 - 400 MHz
Input impedance	: 50 ohm
V.S.W.R.	: < 1.5:1
Beamwidth -3 dB	: 30° E plane
Maximum rated RF power	: 100 watt
Polarization	: Vertical
Gain	: 5 dBi
Type of connection	: N female
Mounting hole	: From 33 to 60 mm master tube
Elements material	: Brass passivated
Wind resistance	: 160 km/h
Lenght	: 1580 mm
Net weight	: abt. 1600 g
Working temperature	: From -35° to +80°





# COLLINEAR 7 dBi OMNIDIRECTIONAL ANTENNA 380 ... 400 MHz

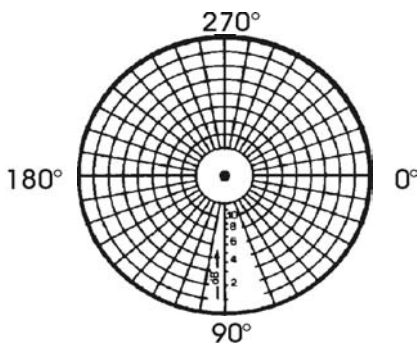
# R-F 530 NL

Fibreglass radomized antenna  
With DC grounded lightning protection  
and condensing hole

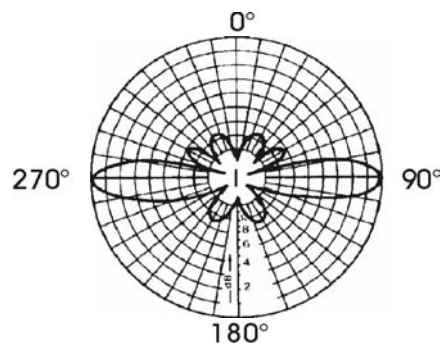
## MAIN CHARACTERISTICS

Frequency range	: 380 - 400 MHz
Input impedance	: 50 ohm
V.S.W.R.	: < 1.5:1
Beamwidth -3 dB	: 18°
Maximum rated RF power	: 100 watt
Polarization	: Vertical
Gain	: 7 dBi
Type of connection	: N female
Mounting hole	: From 33 to 60 mm master tube
Elements material	: Brass passivated
Wind resistance	: 160 km/h
Lenght	: 2360 mm
Net weight	: abt. 2200 g
Working temperature	: From -35° to +80°

## RADIATION PATTERN



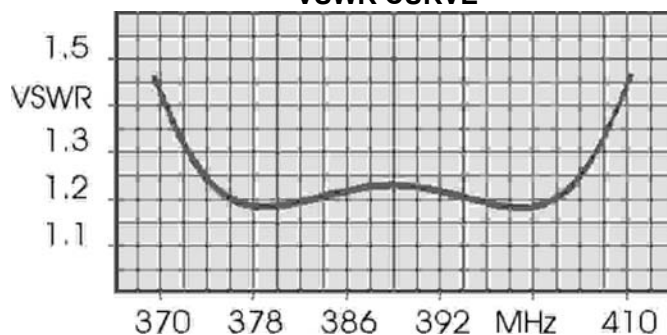
H - PLANE



E - PLANE



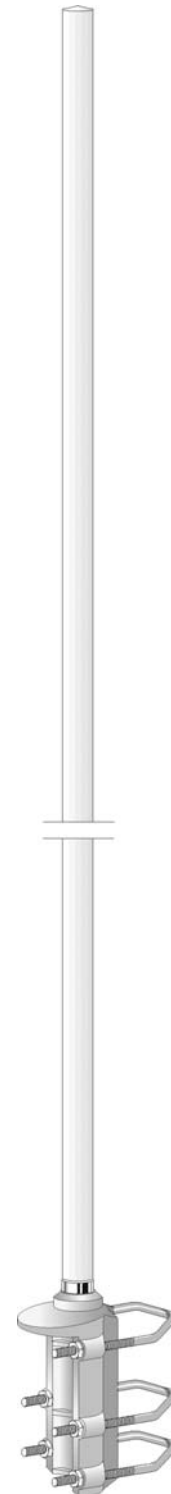
## VSWR CURVE



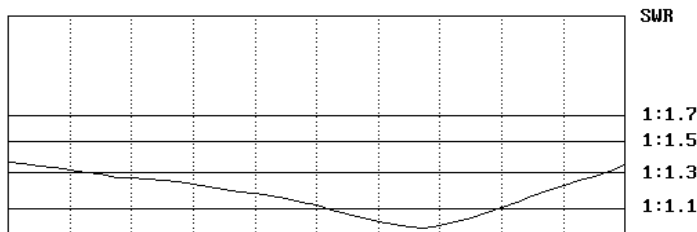
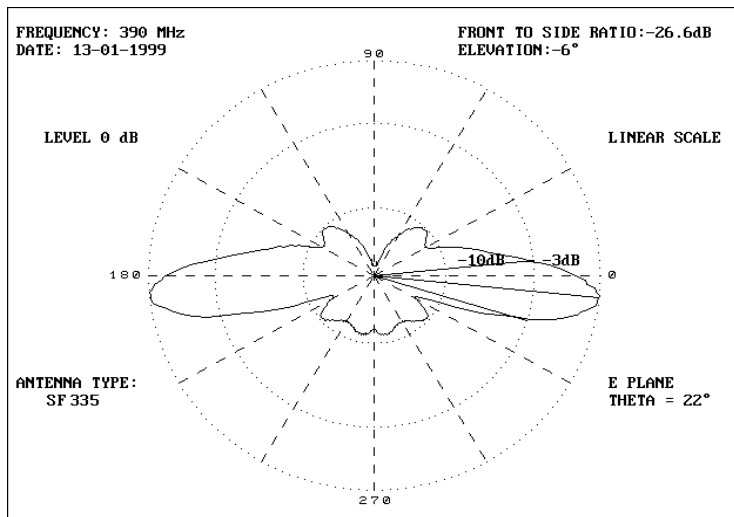
Fibreglass radomized antenna  
With DC grounded lightning protection  
and condensing hole

**MAIN CHARACTERISTICS**

Type	: 4 el. Colinear
Frequency range	: 380 - 400 MHz
Input impedance	: 50 ohm
V.S.W.R.	: < 1:1.5
Beamwidth -3 dB	: 22°
Maximum rated RF power	: 200 watt cont. 400 watt peak
Lightning protection	: DC Grounded
Polarization	: Vertical
Gain	: 5 dBd
Type of connection	: N female
Mounting hole	: From 30 to 62 mm master tube
Anchor treatment	: Alodine 1200
Wind resistance	: 50 m/sec.
Lenght	: 2450 mm
Net weight	: abt. 2500 g
Working temperature	: From -40° to +80°



**RADIATION PATTERN**



380 MHz                      2 MHz/div.                      400 MHz  
Antenna Mod. SF 335

